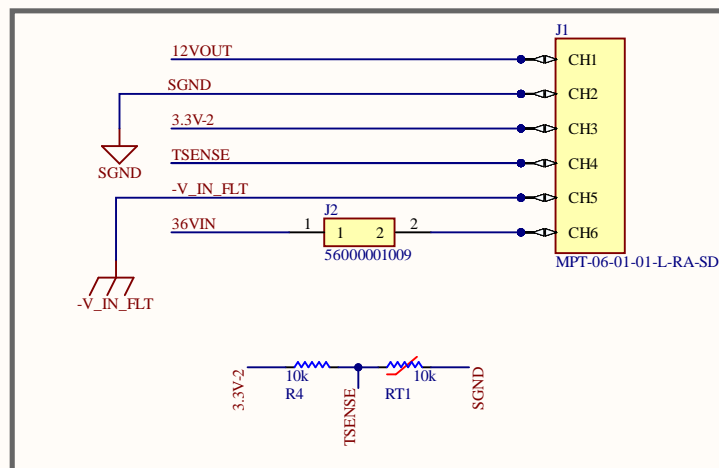


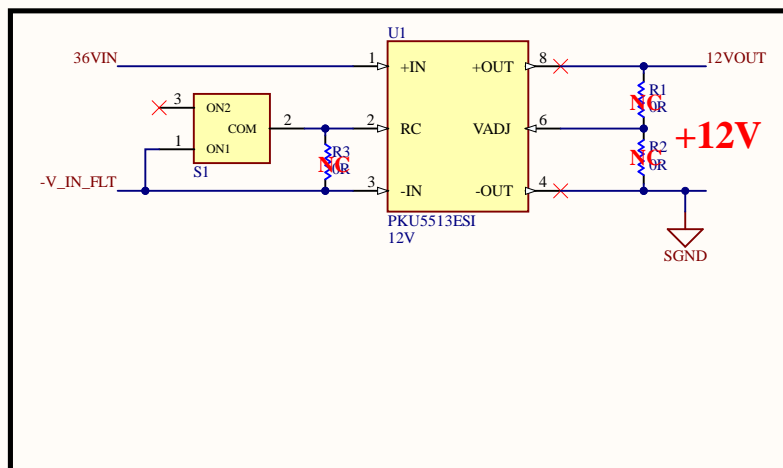
INPUT FILTER

NOTES:

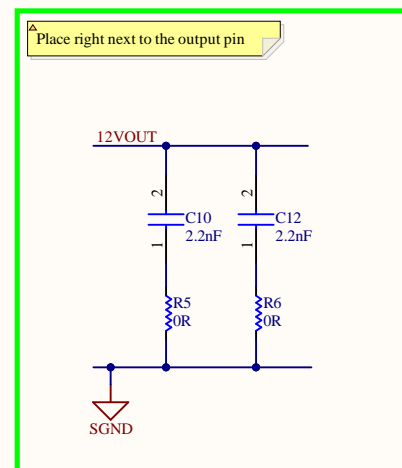
- Min Input Capacitance: 100uF
- Min Output Capacitance: 220uF
- FUSE: For Littelfuse ATOF 257 series/Bussmann ATC series, Littelfuse Low Profile Mini 897 series or equivalents
- (x1) MPZ2012S221AT000 Ferrite Bead inline on the wire.



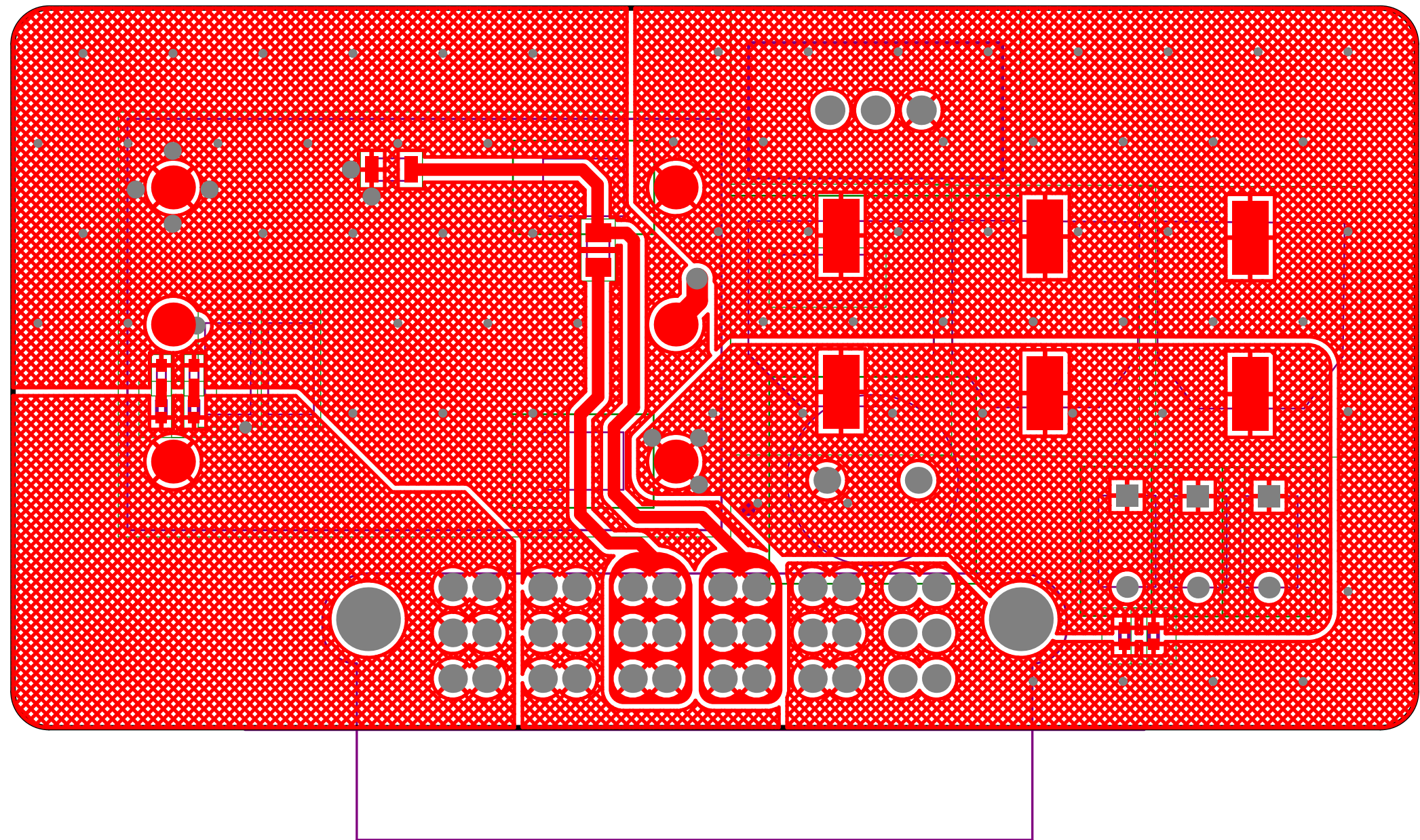
INPUT/OUTPUT POWER CONNECTOR

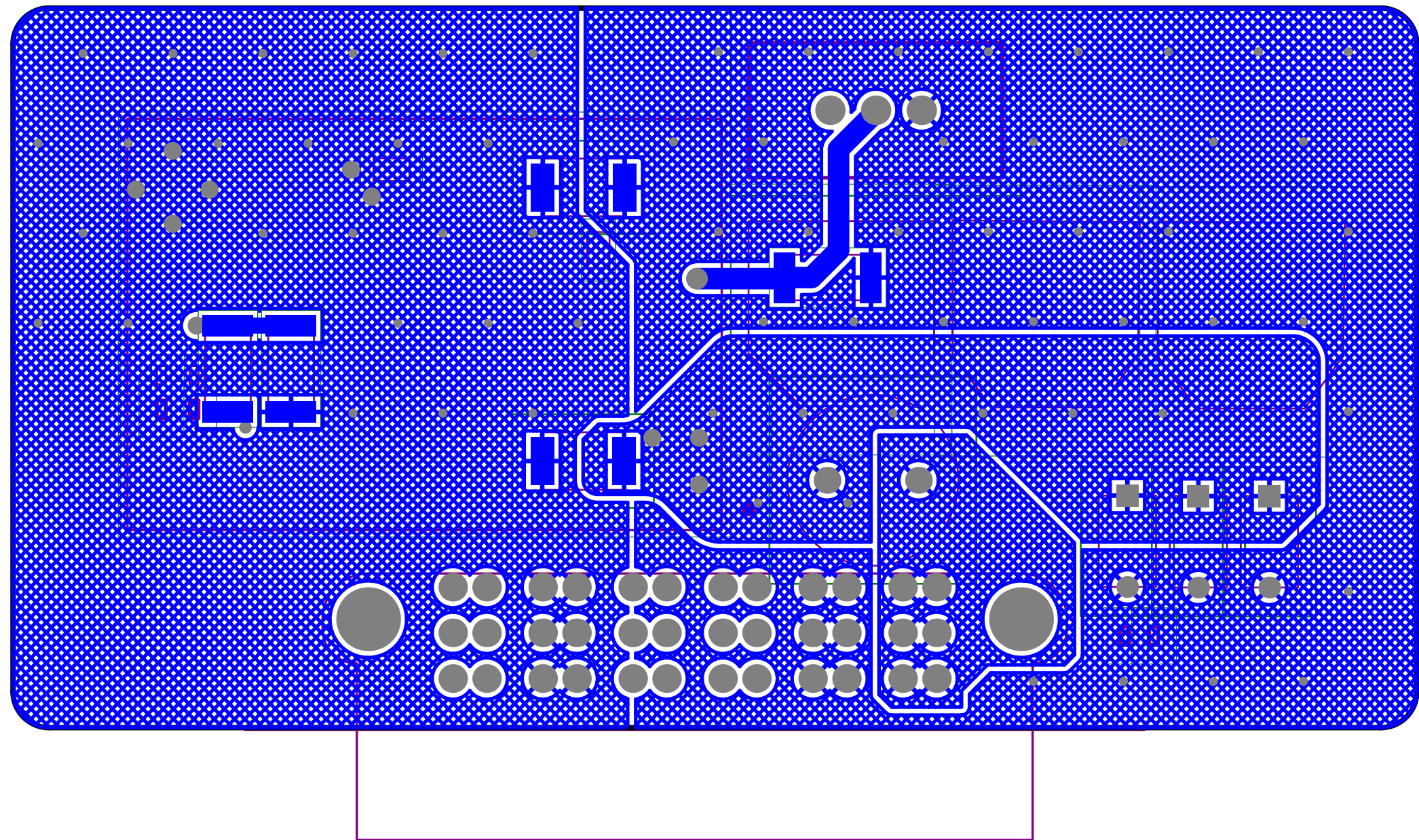


PKU5513 12V POWER MODULE

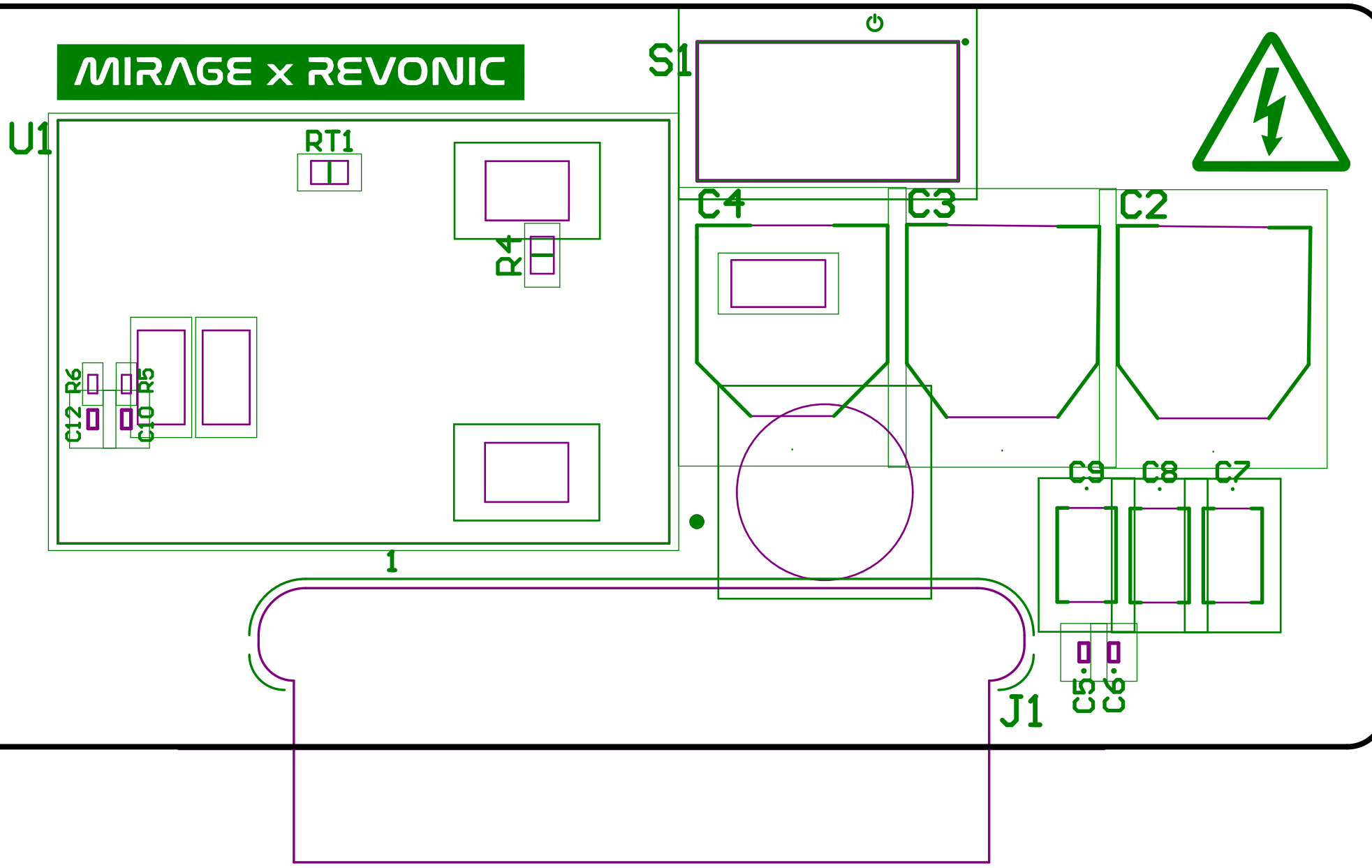


Output Decoupling

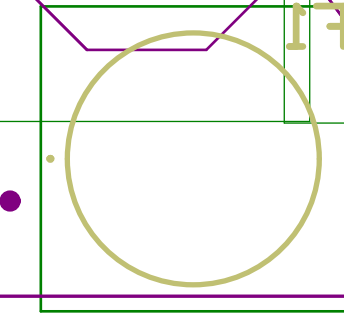
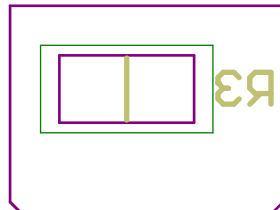
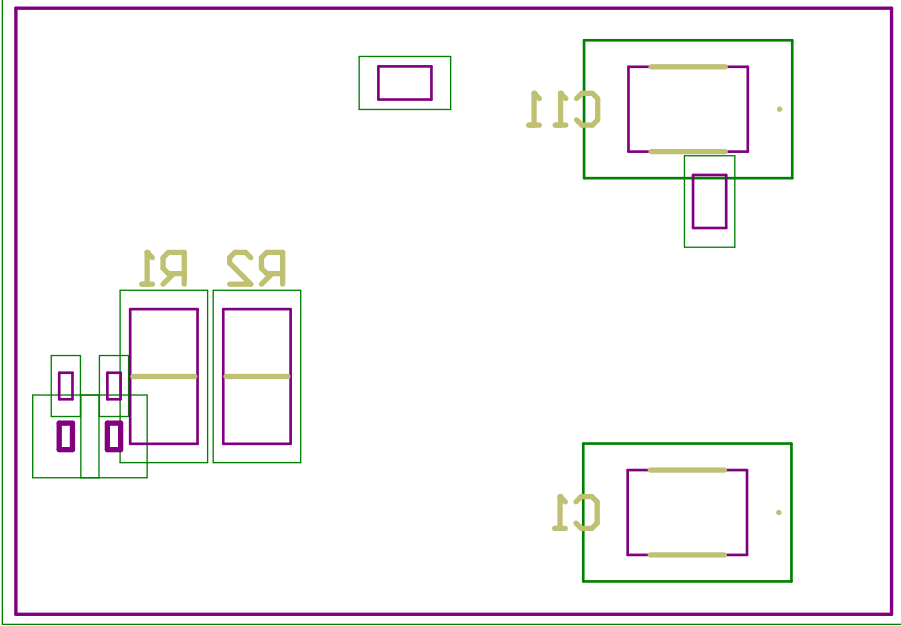




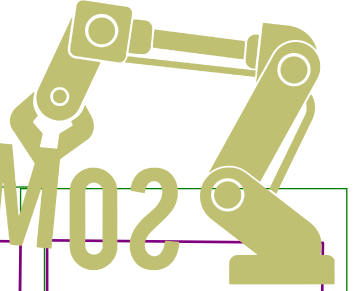
MIRAGE x REVONIC



MOD-BCK-CNVTR-REV-1.0.0



20MTECH



F1

